



**BUILDING CODE COMPLIANCE OFFICE (BCCO)
PRODUCT CONTROL DIVISION**

**MIAMI-DADE COUNTY, FLORIDA
METRO-DADE FLAGLER BUILDING
140 WEST FLAGLER STREET, SUITE 1603
MIAMI, FLORIDA 33130-1563
(305) 375-2901 FAX (305) 375-2908**

NOTICE OF ACCEPTANCE (NOA)

**Hanson Roof Tile
1340 SW 34th Ave
Deerfield Beach, FL 33442**

SCOPE:

This NOA is being issued under the applicable rules and regulations governing the use of construction materials. The documentation submitted has been reviewed by Miami-Dade County Product Control Division and accepted by the Board of Rules and Appeals (BORA) to be used in Miami Dade County and other areas where allowed by the Authority Having Jurisdiction (AHJ).

This NOA shall not be valid after the expiration date stated below. The Miami-Dade County Product Control Division (In Miami Dade County) and/or the AHJ (in areas other than Miami Dade County) reserve the right to have this product or material tested for quality assurance purposes. If this product or material fails to perform in the accepted manner, the manufacturer will incur the expense of such testing and the AHJ may immediately revoke, modify, or suspend the use of such product or material within their jurisdiction. BORA reserves the right to revoke this acceptance, if it is determined by Miami-Dade County Product Control Division that this product or material fails to meet the requirements of the applicable building code.

This product is approved as described herein, and has been designed to comply with the Florida Building Code including the High Velocity Hurricane Zone of the Florida Building Code.

DESCRIPTION: Hanson Regal/Spanish "S" II Roof Tile

LABELING: Each unit shall bear a permanent label with the manufacturer's name or logo, city, state and following statement: "Miami-Dade County Product Control Approved", unless otherwise noted herein.

RENEWAL of this NOA shall be considered after a renewal application has been filed and there has been no change in the applicable building code negatively affecting the performance of this product.

TERMINATION of this NOA will occur after the expiration date or if there has been a revision or change in the materials, use, and/or manufacture of the product or process. Misuse of this NOA as an endorsement of any product, for sales, advertising or any other purposes shall automatically terminate this NOA. Failure to comply with any section of this NOA shall be cause for termination and removal of NOA.

ADVERTISEMENT: The NOA number preceded by the words Miami-Dade County, Florida, and followed by the expiration date may be displayed in advertising literature. If any portion of the NOA is displayed, then it shall be done in its entirety.

INSPECTION: A copy of this entire NOA shall be provided to the user by the manufacturer or its distributors and shall be available for inspection at the job site at the request of the Building Official.

This revises NOA No. 09-0928.02 and consists of pages 1 through 6.
The submitted documentation was reviewed by Alex Tigera.



**NOA No.: 10-0706.06
Expiration Date: 12/16/12
Approval Date: 09/15/10
Page 1 of 6**

ROOFING ASSEMBLY APPROVAL

Category: Roofing
 Sub Category: Roofing Tiles
 Material: Concrete

1. SCOPE

This approves a roofing system using **Hanson Regal/Spanish 'S' II Concrete Roof Tile**, as manufactured by Hanson Roof Tile in *Deerfield Beach, Florida* and as described in Section 2 of this Notice of Acceptance. For the locations where the pressure requirements, as determined by applicable building code do not exceed the values listed in section 4 herein. The attachment calculations shall be done as a moment based system.

2. PRODUCT DESCRIPTION

<u>Manufactured by Applicant</u>	<u>Dimensions</u>	<u>Test Specifications</u>	<u>Product Description</u>
Hanson Regal / Spanish "S" II Tile	Length: 17 ¼" Width: 13 ¼" ½" thick	TAS 112	High profile concrete roof tile for direct deck or battened nail-on, mortar or adhesive set applications.
Trim Pieces	Length: varies Width: varies	TAS 112	Accessory trim, concrete roof pieces for use at hips, rakes, ridges and valley terminations.

2.1 EVIDENCE SUBMITTED

<u>Test Agency</u>	<u>Test Identifier</u>	<u>Test Name/Report</u>	<u>Date</u>
Redland Technologies	7161-03	PA 102	Dec. 1991
	Appendix III		
	7161-03	PA 102(A)	Dec. 1991
	Appendix III		
	7161-03	PA 108 (Nail-On)	Dec. 1991
	Appendix II		
	Letter of Aug. 1, 1994	PA 108 (Nail-On)	Aug. 1994
The Center for Applied Engineering, Inc.	P09647-01	PA 108(Mortar Set)	Aug. 1994
	P0402	Withdrawal Resistance Testing of screw vs. smooth shank nails	Sept. 1993
	94-083	PA 101 (Adhesive Set)	April 1994
	94-084	PA 101 (Mortar Set)	May 1994
	25-7094-9	PA 102 (4" Headlap, Nails, Direct Deck, New Construction)	Oct. 1994
	25-7094-6	PA 102 (4" Headlap, Nails, Battens)	Oct. 1994
	25-7183-4	PA 102 (2 Quik-Drive Screws, Direct Deck)	Feb. 1995
	25-7183-3	PA 102 (2 Quik-Drive Screws, Battens)	Feb. 1995
	25-7214-3	PA 102 (1 Quik-Drive Screw, Direct Deck)	March, 1995



NOA No.: 10-0706.06
 Expiration Date: 12/16/12
 Approval Date: 09/15/10
 Page 2 of 6

<u>Test Agency</u>	<u>Test Identifier</u>	<u>Test Name/Report</u>	<u>Date</u>
	25-7214-7	PA 102 (1 Quik-Drive Screw, Battens)	March, 1995
	Project No. 307025 Test #MDC-76	PA 100	Oct. 1994
All State Engineering & Testing Consultants, Inc.	YQ-135	PA 112	Dec. 1998
Walker Engineering	Calculations	Aerodynamic Multiplier	March 1999
IBA Consultants, Inc.	2381-252	TAS 112	09/20/07

3. LIMITATIONS

- 3.1 Fire classification is not part of this acceptance.
- 3.2 For mortar or adhesive set tile applications, a static field uplift test in accordance with TAS 106 may be required, refer to applicable building code.
- 3.3 Applicant shall retain the services of a Miami-Dade County Certified Laboratory to perform quarterly test in accordance with TAS 112, appendix 'A'. Such testing shall be submitted to the Building Code Compliance Office for review.
- 3.4 Minimum underlayment shall be in compliance with the applicable Roofing Applications Standards listed section 4.1 herein.
- 3.5 30/90 hot mopped underlayment applications may be installed perpendicular to the roof slope unless stated otherwise by the underlayment material manufacturers published literature.
- 3.6 This acceptance is for wood deck applications. Minimum deck requirements shall be in compliance with applicable building code.

4. INSTALLATION

- 4.1 Hanson Regal/Spanish 'S' II Concrete Roof Tile and its components shall be installed in strict compliance with Roofing Application Standard RAS 118, RAS 119, and RAS 120.
- 4.2 Data For Attachment Calculations

Tile Profile	Weight-W (lbf)	Length-l (ft)	Width-w (ft)
Hanson Regal/Spanish 'S' II	10.4	1.4375	1.1

Tile Profile	λ (ft ³)	λ (ft ³)
	Batten Application	Direct Deck Application
Hanson Regal/Spanish 'S' II	0.287	0.311



Table 3: Restoring Moments due to Gravity - M_g (ft-lbf)										
Tile Profile	3": 12"		4": 12"		5": 12"		6": 12"		7": 12" or greater	
	Battens	Direct Deck	Battens	Direct Deck	Battens	Direct Deck	Battens	Direct Deck	Battens	Direct Deck
Hanson Regal/Spanish 'S' II	7.77	8.34	7.65	8.20	7.49	8.03	7.30	7.83	7.10	7.61

Table 4: Attachment Resistance Expressed as a Moment - M_f (ft-lbf) For Nail-On Systems				
Tile Profile	Fastener Type	Direct Deck (min 15/32" plywood)	Direct Deck (min. 19/32" plywood)	Battens
Hanson Regal/Spanish 'S' II	2-10d Ring Shank Nails	28.6	41.2	19.4
	1-10d Smooth or Screw Shank Nail	5.1	6.8	2.8
	2-10d Smooth or Screw Shank Nails	6.9	9.2	7.3
	1 .#8 Screw	20.7	20.7	18.1
	2 .#8 Screws	43.2	43.2	29.8
	1-10d Smooth or Screw Shank Nail (Field Clip)	23.1	23.1	19.0
	1-10d Smooth or Screw Shank Nail (Eave Clip)	29.3	29.3	24.0
	2-10d Smooth or Screw Shank Nails (Field Clip)	27.6	27.6	38.6
	2-10d Smooth or Screw Shank Nails (Eave Clip)	38.1	38.1	41.8
	2-10d Ring Shank Nails ¹	33.1	48.1	45.2

1 Installation with a 4" tile headlap and fasteners are located a min. of 2½" from head of tile.

Table 5: Attachment Resistance Expressed as a Moment M_f (ft-lbf) For Two Patty Adhesive Set Systems		
Tile Profile	Tile Application	Minimum Attachment Resistance
Hanson Regal/Spanish 'S' II	Adhesive	29.3 ³

2 See manufactures component approval for installation requirements.
3 Flexible Products Company TileBond Average weight per patty 10.7 grams.
Polyfoam Product, Inc. Average weight per patty 8 grams.



Table 6: Attachment Resistance Expressed as a Moment - M_f (ft-lbf) For Single Patty Adhesive Set Systems		
Tile Profile	Tile Application	Minimum Attachment Resistance
Hanson Regal/Spanish 'S' II	Polyfoam PolyPro™	66.5 ⁴
	Polyfoam PolyPro™	38.7 ⁵
4 Large paddy placement of 63grams of PolyPro™.		
5 Medium paddy placement of 24grams of PolyPro™.		

Table 7: Attachment Resistance Expressed as a Moment - M_f (ft-lbf) For Mortar Set Systems		
Tile Profile	Tile Application	Attachment Resistance
Hanson Regal/Spanish 'S' II	Mortar Set	24.5

5. LABELING

All tiles shall bear the imprint or identifiable marking of the manufacturer's name or logo (See Detail Below), or following statement: "Miami-Dade County Product Control Approved".

HANSON

**HANSON REGAL/SPANISH "S" II ROOF TILE IDENTIFICATION MARK
(LOCATED UNDERNEATH TILE)**

6. BUILDING PERMIT REQUIREMENTS

6.1 Application for building permit shall be accompanied by copies of the following:

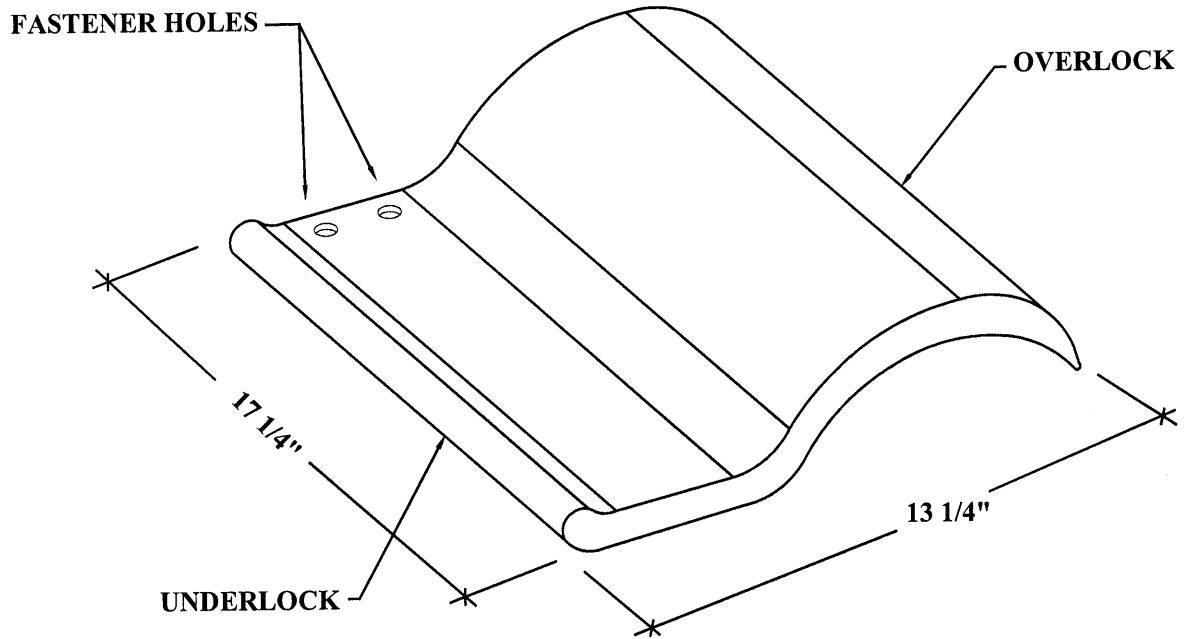
6.1.1 This Notice of Acceptance.

6.1.2 Any other documents required by the Building Official or applicable building code in order to properly evaluate the installation of this system.



NOA No.: 10-0706.06
 Expiration Date: 12/16/12
 Approval Date: 09/15/10
 Page 5 of 6

PROFILE DRAWINGS



HANSON REGAL/SPANISH 'S' II CONCRETE ROOF TILE

END OF THIS ACCEPTANCE



NOA No.: 10-0706.06
Expiration Date: 12/16/12
Approval Date: 09/15/10
Page 6 of 6